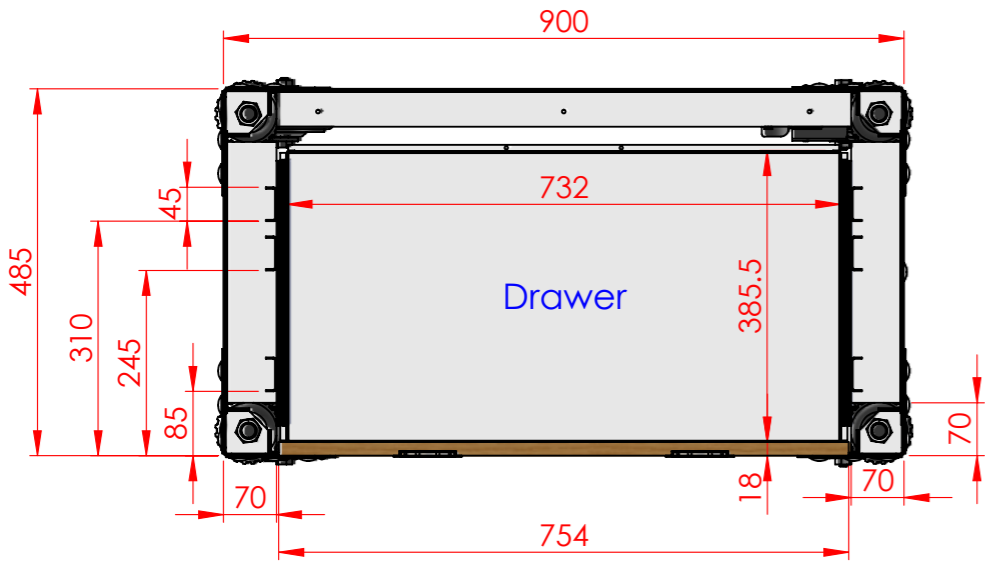
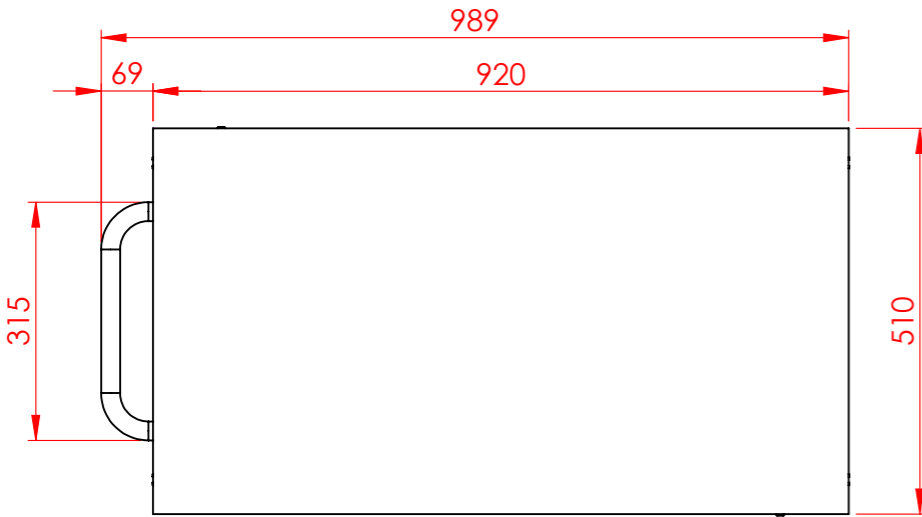
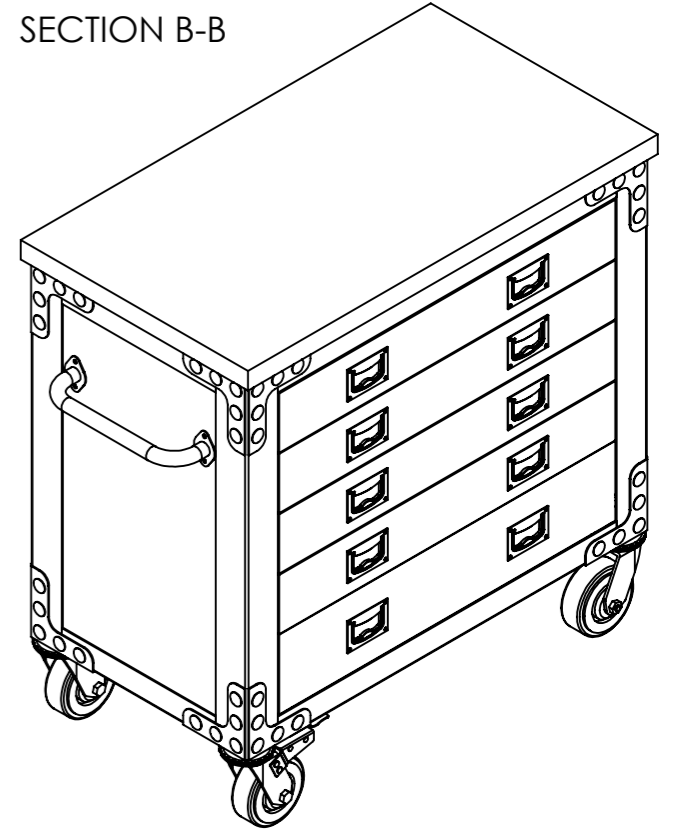


SECTION B-B



SECTION A-A



DRAWN	Tahir	SHEET THK.:	-NA-	WEIGHT:	---	S. AREA:	12952573.42mm ²
CHECKED	Harout k	MAT.:	Acacia Wood / Metal	FINISH:	Powder Coated		
APPROVED	Harout k	TITLE: 36" Industrial Metal & Wood Tool Chest					
DATE	05/12/2019						
DWG. NO.	TB 36-000	PRODUCT:	Tool Box	MODEL:	920x510x940mm		
General Tolerance : ± 0.1 mm		INTERMETAL		P.O. Box 474039, Jabel Ali, Dubai Investment Park - 1, Dubai (United Arab Emirates)		SHEET 1 OF 15	
COLOUR	Black	Design & Development Department		Tel: 04-8841650 Fax: 04-8841934		SCALE	REV.
QUANTITY		ALL DIMENSIONS ARE IN MILLIMETERS AND ALL BEND RADII TO BE MIN. R AT 90° BEND, UNLESS SPECIFIED OTHERWISE		1st Angle Projection		N.T.S.	00
THIS DRAWING IS THE PROPERTY OF TSSC, NOT TO BE REPRODUCED AS A PART OR WHOLE WITHOUT PRIOR CONSENT OF TSSC							